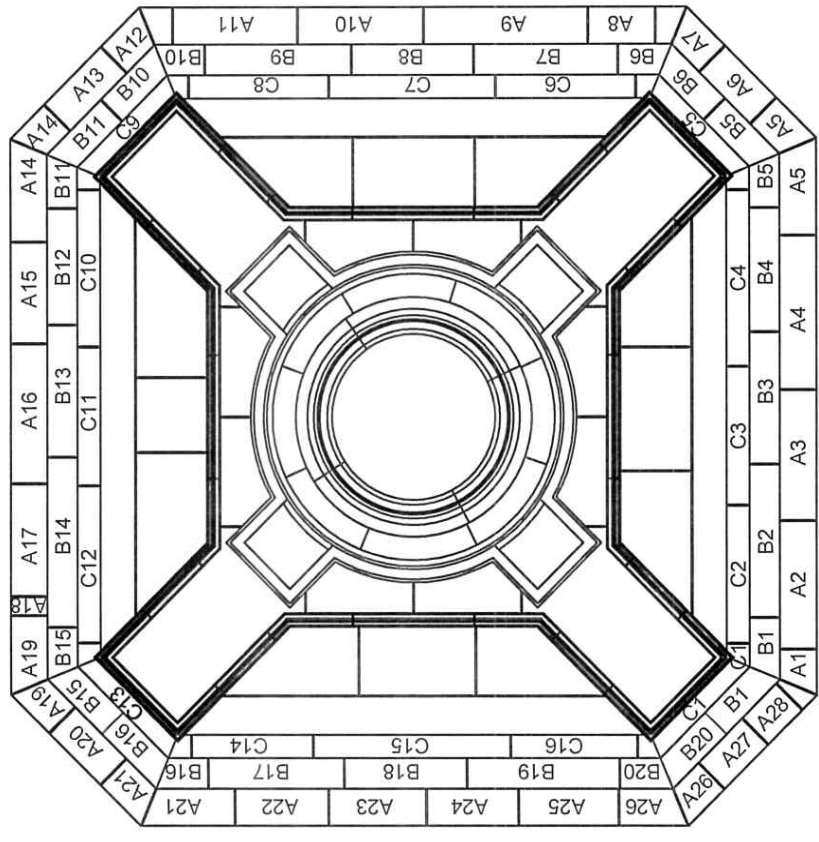
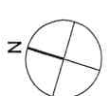


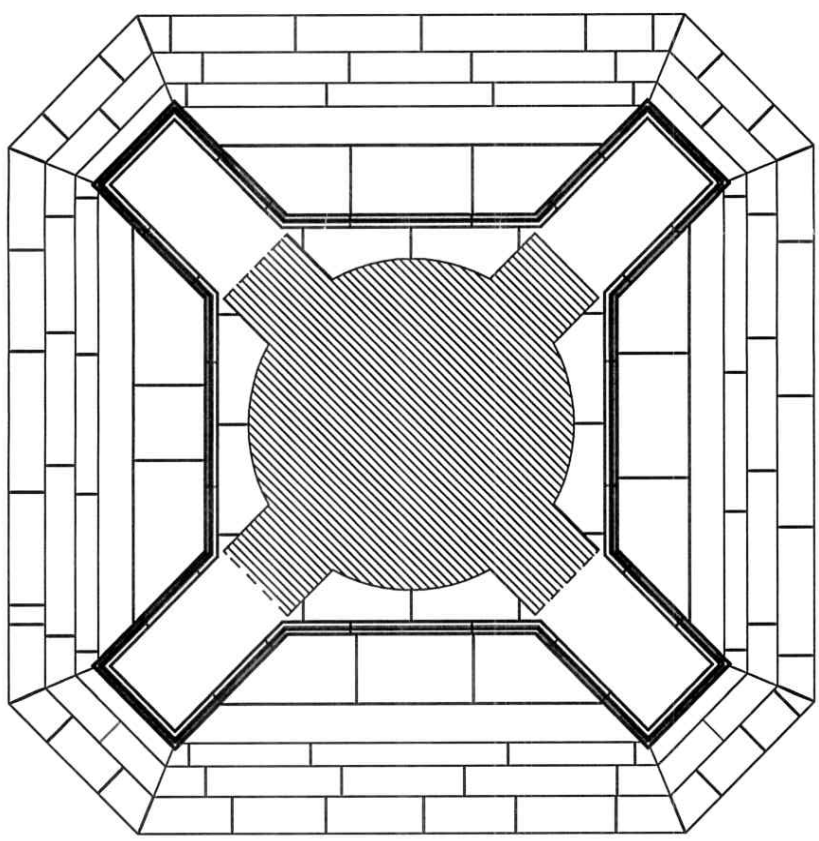


**METRO NORTH
ORAL HEARING**

O 'Connell Monument Drawings



PLAN - VIEW SCALE 1:75

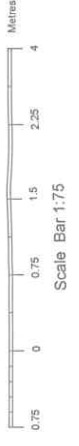
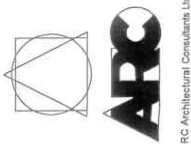


PLAN THROUGH THE STONE WORK OF MONUMENT SCALE 1:75

30 DALKEY PARK, DALKEY, CO. DUBLIN.
TEL: 2355235, FAX: 2849818, E-MAIL: INFO@ARCIE

Drawing Scale: 1/1 Graphic Scale: 1:75

NOTE: The survey of the structure is based on a combination of electronic survey and taped measurement.
All levels shown are relative to arbitrary datum.



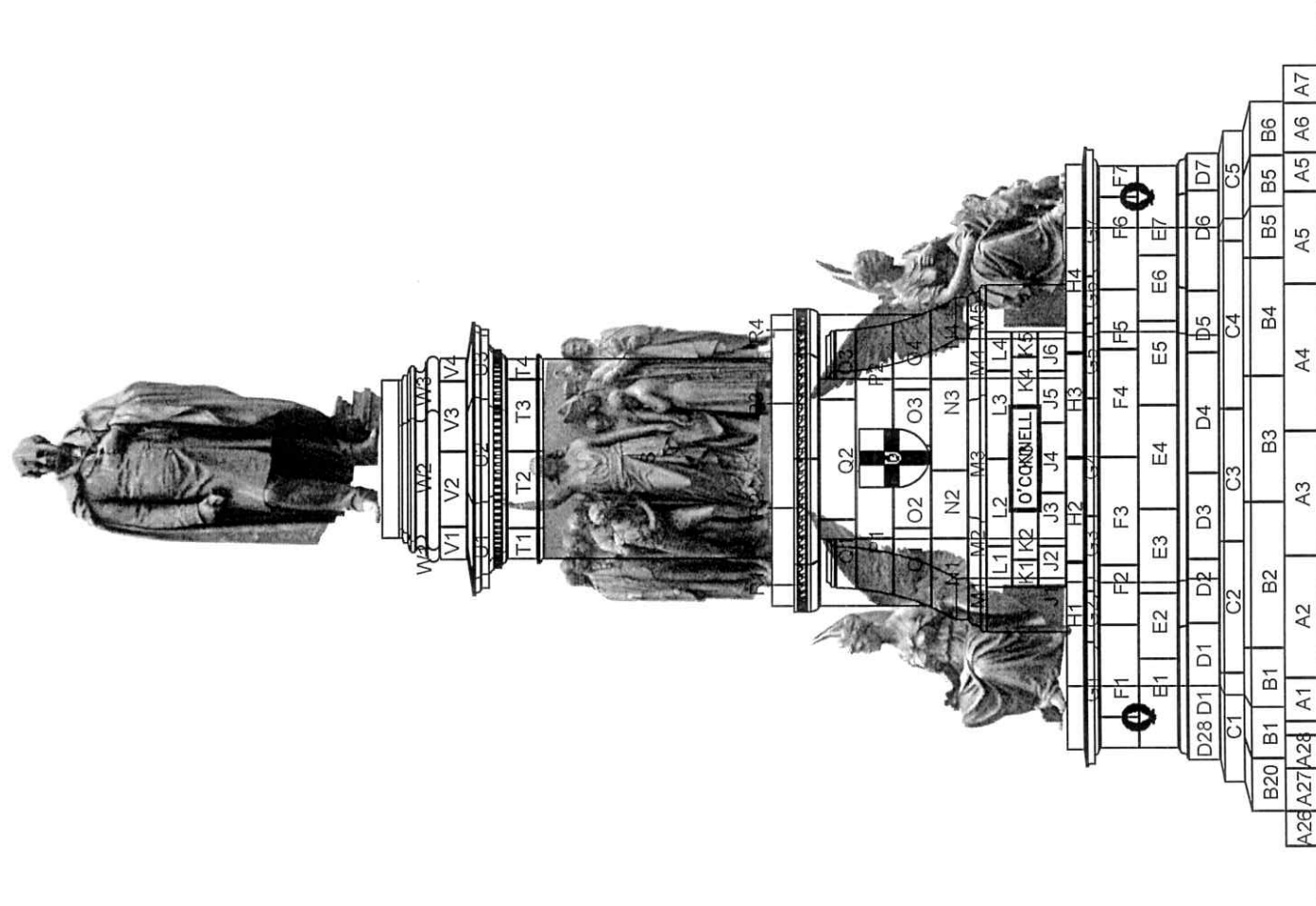
No	Date	Revision

David Slattery Dip Arch FRSA Architect & Historic Building Consultant
8 Vergemount Clonskeagh Dublin 6 Tel: 01-2697357 Fax: 01-2696700

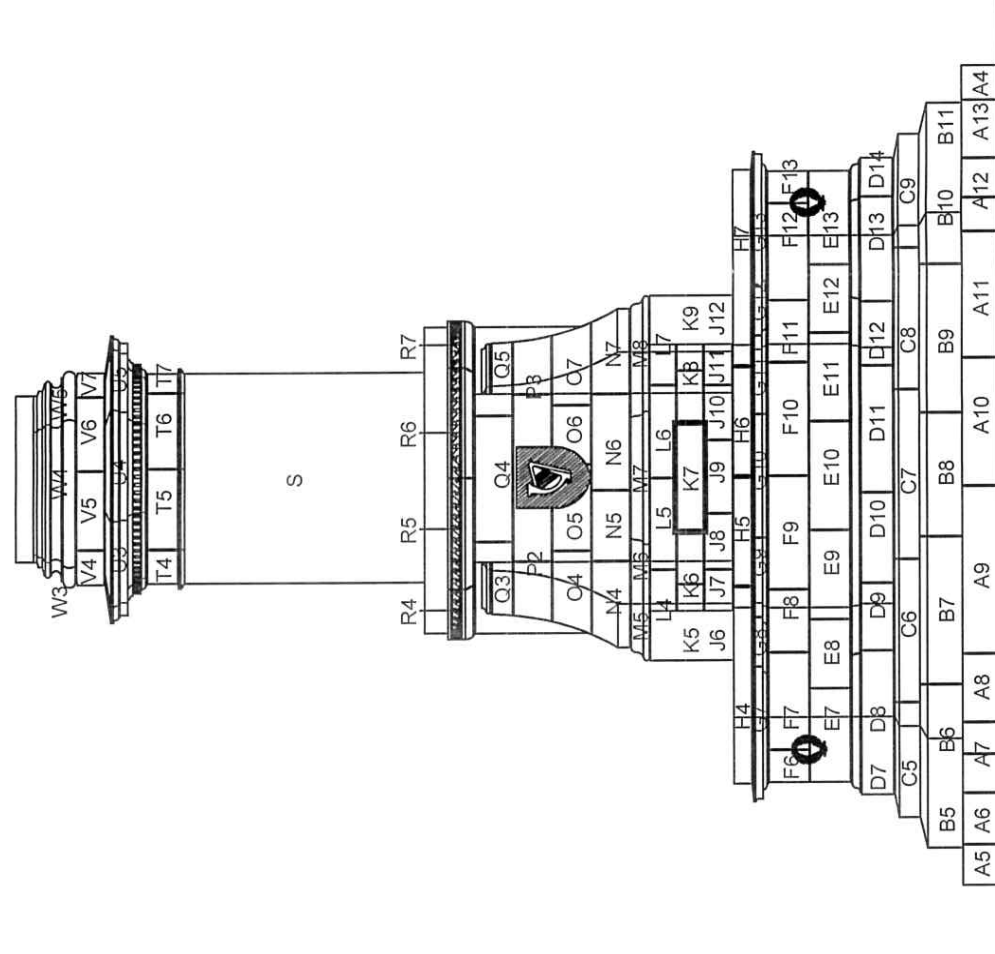
Project
METRO NORTH

Client
RPA
Drng Title
O'CONNELL MONUMENT PLANS

Scale
1:75 (A3)
Date
05/02/2009
Drng No
18/09-D0C-01



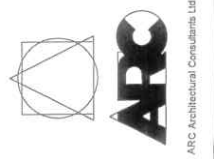
001 SOUTH ELEVATION
SCALE 1:75



001 EAST ELEVATION
SCALE 1:75

30 DALKEY PARK, DALKEY, CO. DUBLIN.
TEL: 2555252, FAX: 2548818, E-MAIL: INFO@ARC.IE

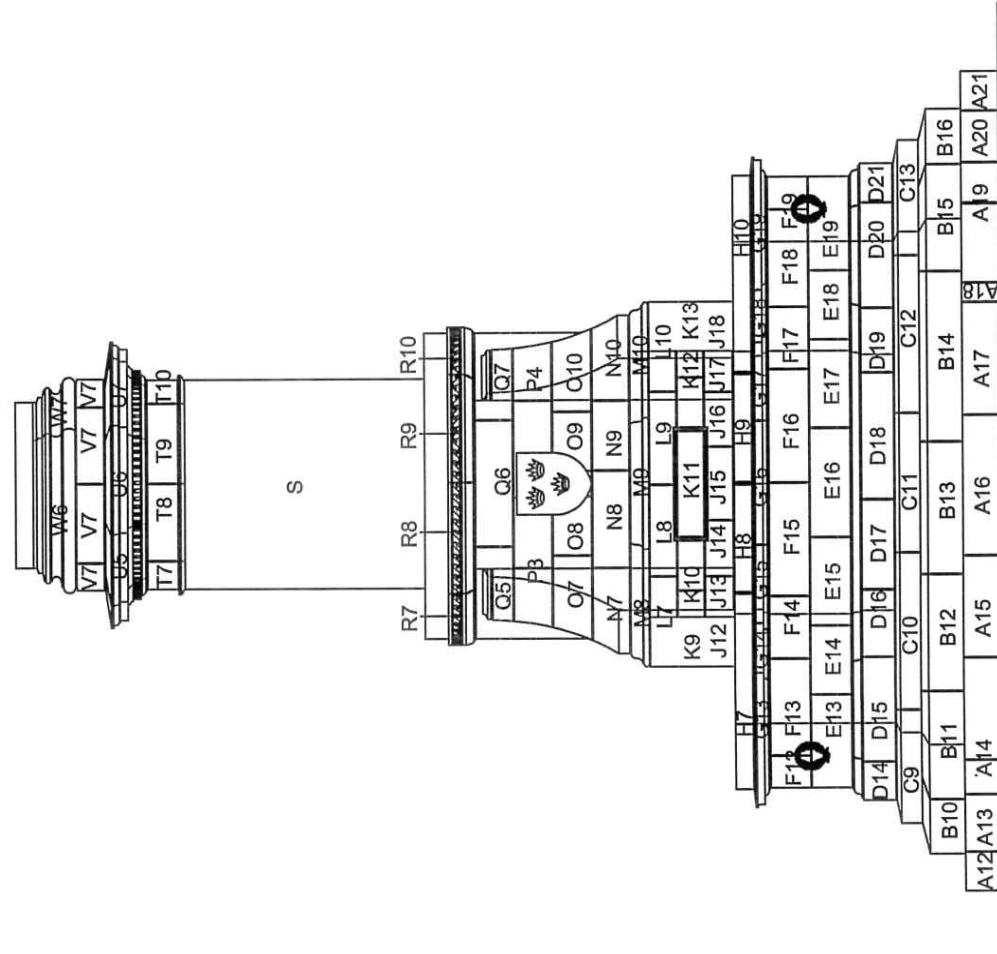
Drawing Scale: 1:1
Graphic Scale = 1:75
NOTE: The survey of the Structure is based on a combination of electronic survey and taped measurement.
All levels shown are relative to arbitrary datum



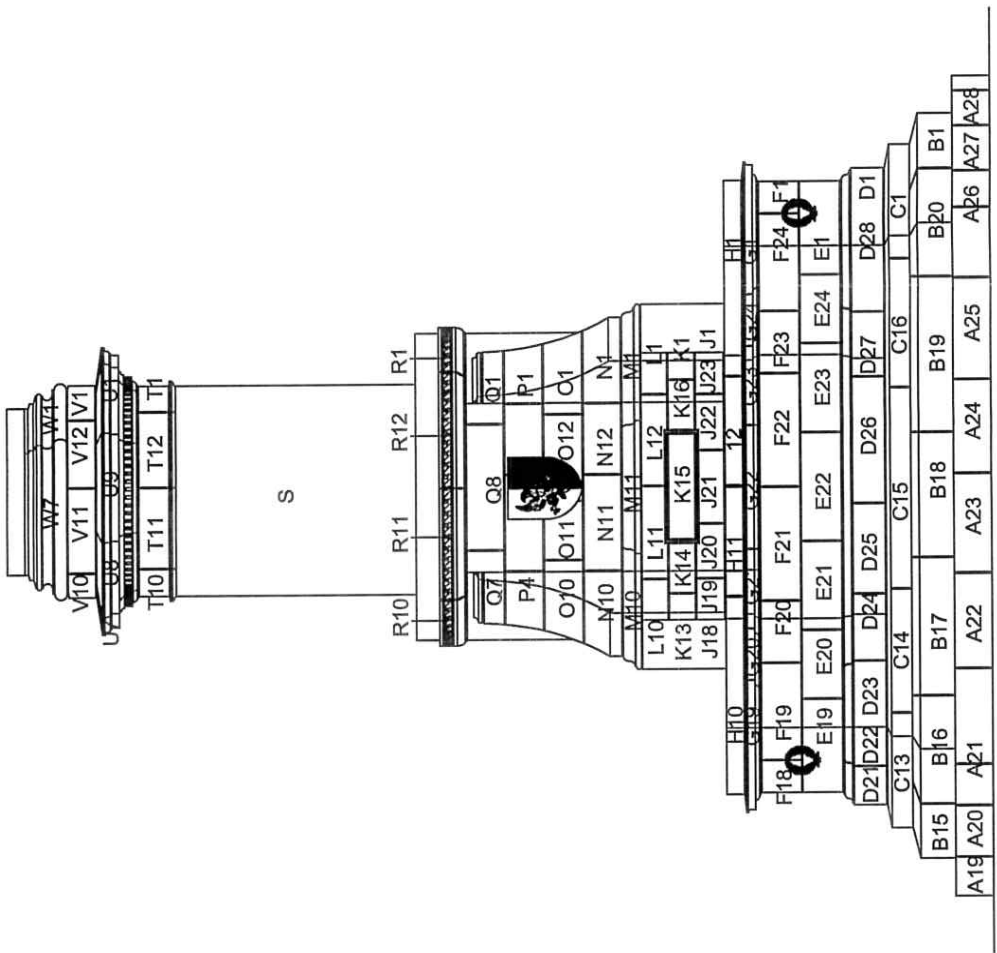
No	Date	Revision

Project METRO NORTH	
Client RPA	Dwg Title O'CONNELL MONUMENT ELEVS 1
Scale 1:75 (A3)	Date 05/02/2009
Drg No 19/09-D0C-02	

David Slattery Dip Arch FRLI Architect & Historic Building Consultant
8 Vergemount Clonskeogh Dublin 6 Tel: 01-2687357 Fax: 01-2686700



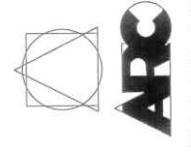
NORTH ELEVATION
SCALE 1:75



WEST ELEVATION
SCALE 1:75

30 DALKEY PARK, DALKEY, CO. DUBLIN.
TEL: 235555, FAX: 2849518, E-MAIL: INFO@ARCIE

Drawing Scale: 1/1 Graphic Scale: 1/75
NOTE: The survey of the Structure is based on a combination of electronic survey and taped measurement.
All levels shown are relative to arbitrary datum



ARC Architectural Consultants Ltd

No	Date	Revision

David Slattery Dip Arch FRIAI Architect & Historic Building Consultant
8 Vergamont Clonskeigh Dublin 8 Tel: 01-2697357 Fax: 01-2696700

Project METRO NORTH	
Client RPA	Drg Title O'CONNELL MONUMENT ELEYS 2
Scale 1:75 (A3)	Date 05/02/2009
Drg No 18/09-D0C-03	



Railway Procurement Agency
Ghníomhaireacht um Fháil Iamróid
Parkgate Business Centre,
Parkgate Street, Dublin 8, Ireland
Phone +353 1 646 3400
Fax +353 1 646 3401
www.rpa.ie

Responsible for

LUAS METRO

Integrated
Ticketing
System

With funding and
support from

transport21
progress in motion

